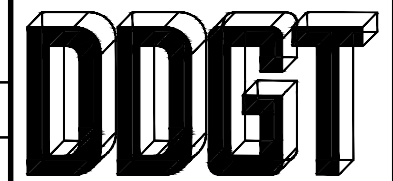


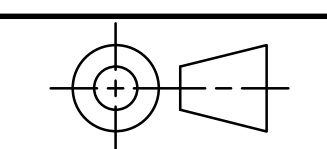
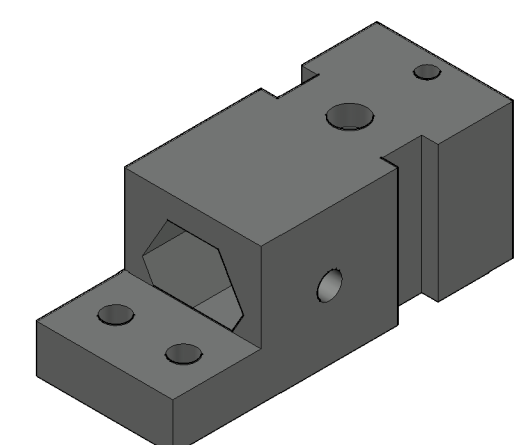
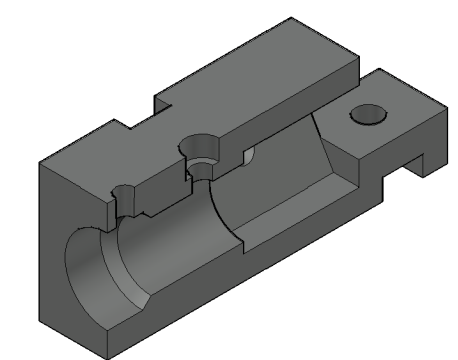
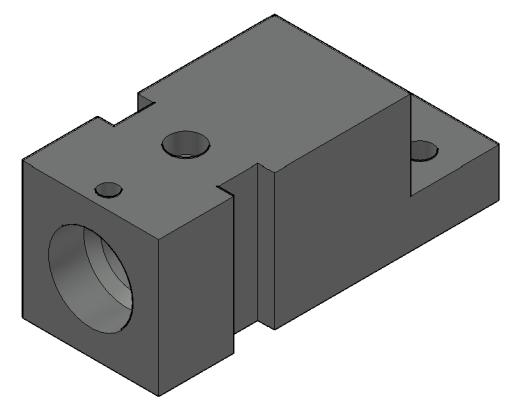
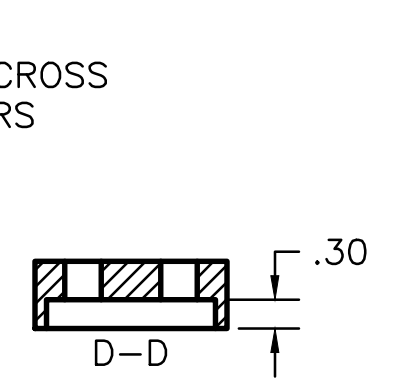
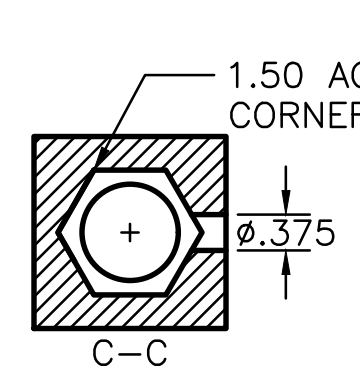
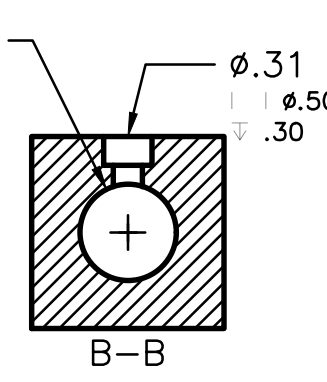
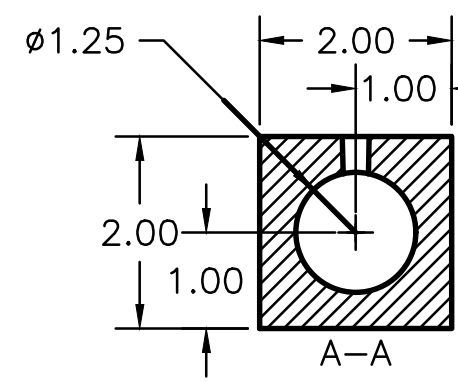
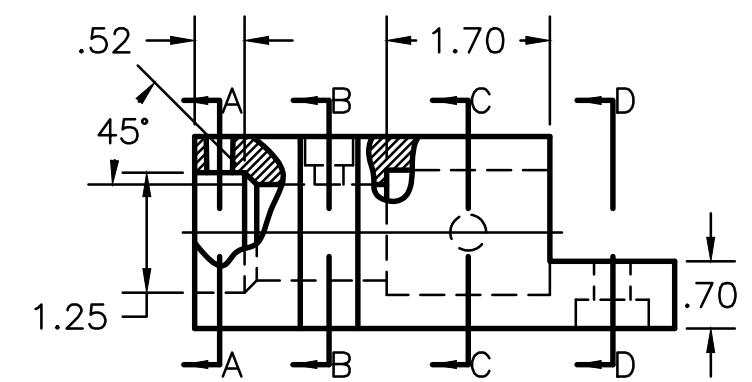
HOLE FOR #4 TAPER PIN

PARTS LIST			
ITEM	QTY	PART NAME	MATERIAL
01	QTY	CASING	SAE1012



DIGITAL DESIGN
GRAPHICS
TECHNOLOGY

WWW.DDGT.NET



TOLERANCES UNLESS SPECIFIED:
DECIMAL INCHES:
X = ±.020
XX = ±.010
XXX = ±.005
FRACTIONAL ±1/64"
ANGLES ±1 DEGREE
SURFACES 32/

CLASS: DDGT 120

ASSIGNMENT #: 57

AUTOCAD DRAWING NAME:
CASING

FIG #: 9-39

MANAGER: G. STROMMEN

DRAFTER: K LOVE

DATE: 10/19/22

SCALE: 1:2

PAGE #: 1 OF 1

LEGEND:

- ∅ DIAMETER
- R RADIUS
- ° DEGREES
- | | SPOTFACE/COUNTERBORE
- ∇ DEPTH